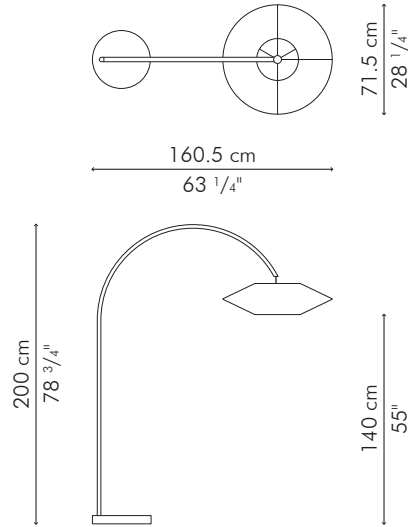



ARC LAMP, small



 18.5 kg / 41 lbs

 23 kg / 51 lbs

 2.24 m<sup>3</sup>

1 x 100 watts

Portable pre-wired lamp

E26 / E27

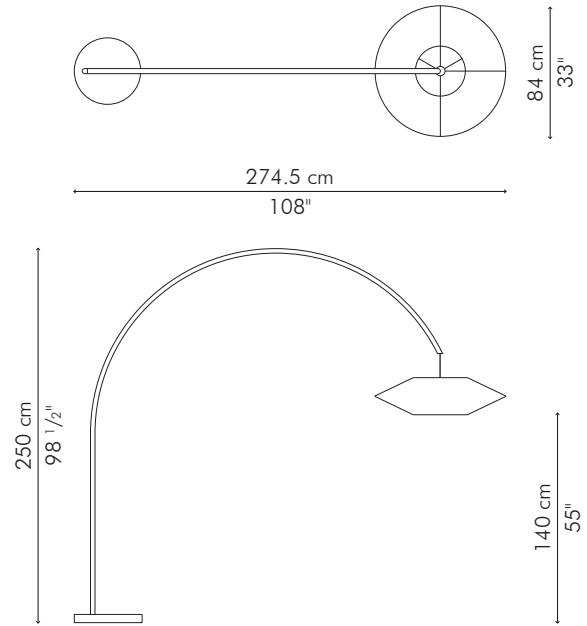
110V 60Hz / 230V 50Hz

**INDOOR** Buri (palm leaf spines), abaca, steel, handmade paper, Mylar


Brown

LFKI-B-2878

ARC LAMP, large



 29.5 kg / 65 lbs

 34 kg / 75 lbs

 5.76 m<sup>3</sup>

1 x 100 watts

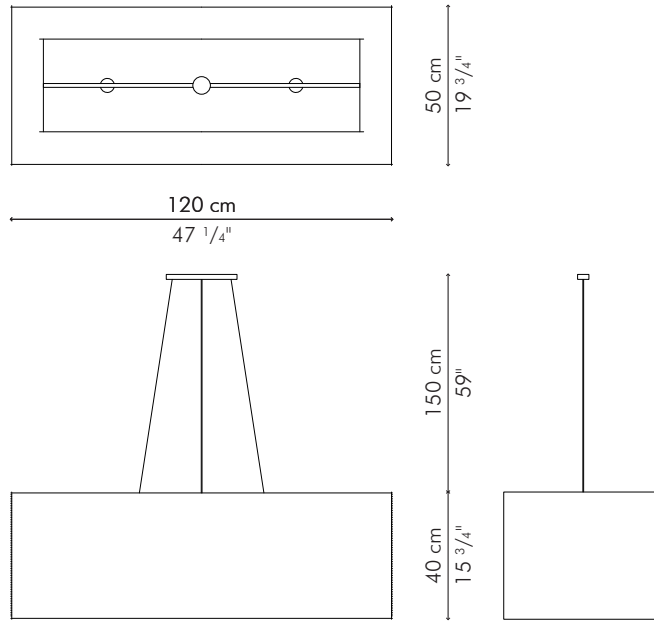
Portable pre-wired lamp  
E26 / E27  
110V 60Hz / 230V 50Hz

**INDOOR** Buri (palm leaf spines), abaca, steel, handmade paper, Mylar

Brown

LFKI-B-3398

HANGING LAMP, rectangular



INDOOR

 5 kg / 11 lbs

 8 kg / 18 lbs

 0.32 m<sup>3</sup>

3 x 60 watts

Surface mounted pre-wired lamp

E26 / E27

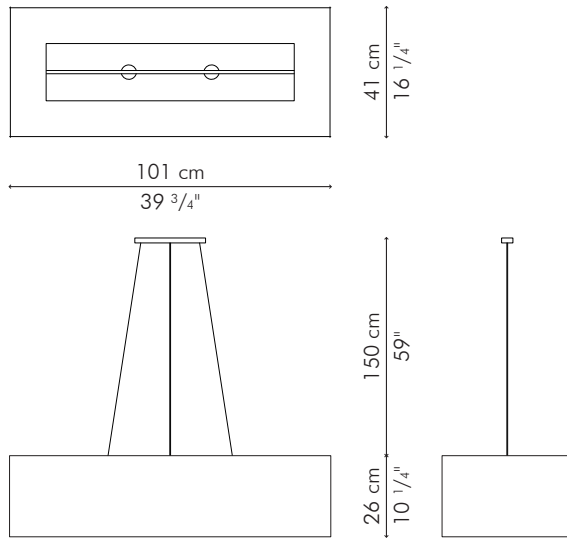
110V 60Hz / 230V 50Hz

INDOOR Buri (palm leaf spines), abaca, steel, handmade paper, Mylar


Brown


LHKI-B-4715

HANGING LAMP, rectangular slim



INDOOR

 3.5 kg / 8 lbs

 6 kg / 13.5 lbs

 0.16 m<sup>3</sup>

2 x 60 watts

Surface mounted pre-wired lamp

E26 / E27

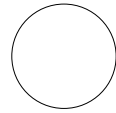
110V 60Hz / 230V 50Hz

INDOOR Buri (palm leaf spines), abaca, steel, handmade paper, Mylar

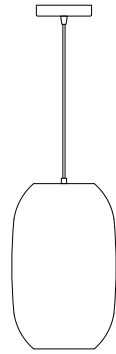
Brown

LHKI-B-3910

## LANTERN, small



24 cm  
9 1/2"



150 cm  
59"  
38 cm  
15"

 1.5 kg / 3.5 lbs

 2 kg / 4.5 lbs

 0.03 m<sup>3</sup>

1 x 75 watts

Surface mounted pre-wired lamp

E26 / E27

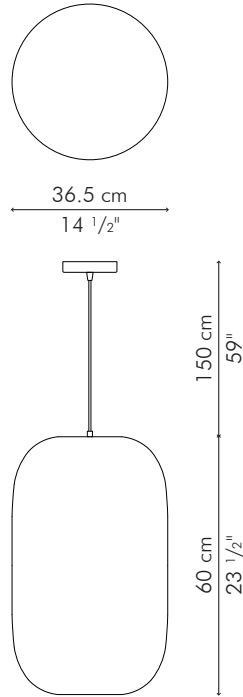
110V 60Hz / 230V 50Hz

**INDOOR** Buri (palm leaf spines), abaca, steel, handmade paper, Mylar

Brown


LHKI-B-0915

LANTERN, medium



 2 kg / 4.5 lbs

 3.5 kg / 8 lbs

 0.09 m<sup>3</sup>

1 x 100 watts

Surface mounted pre-wired lamp

E26 / E27

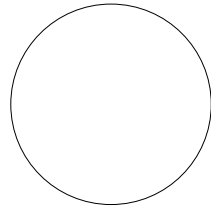
110V 60Hz / 230V 50Hz

INDOOR Buri (palm leaf spines), abaca, steel, handmade paper, Mylar

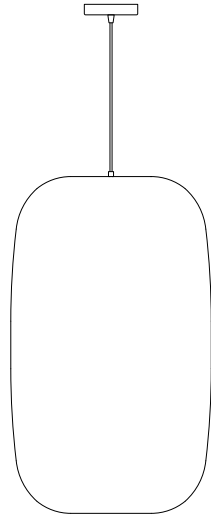
Brown

LHKI-B-1423

LANTERN, large




47 cm  
18 1/2"



150 cm  
59"  
80 cm  
31 1/2"

 3 kg / 7 lbs

 5.5 kg / 12.5 lbs

 0.20 m<sup>3</sup>

1 x 100 watts

Surface mounted pre-wired lamp

E26 / E27

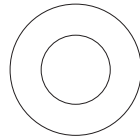
110V 60Hz / 230V 50Hz

INDOOR Buri (palm leaf spines), abaca, steel, handmade paper, Mylar

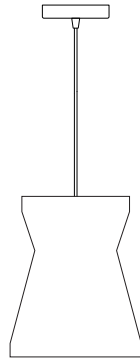
Brown

LHKI-B-1831

## HANGING LAMP




25 cm  
9 3/4"



150 cm  
59"  
30 cm  
11 3/4"

 1.5 kg / 3.5 lbs

 1.5 kg / 3.5 lbs

 0.02 m<sup>3</sup>

1 x 75 watts

Surface mounted pre-wired lamp

E26 / E27

110V 60Hz / 230V 50Hz

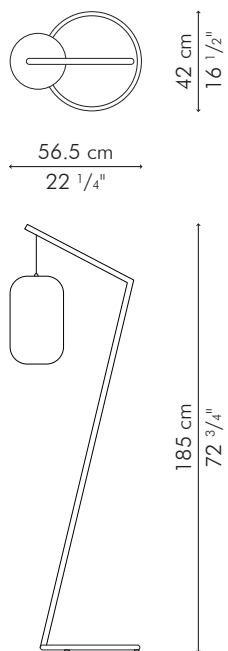
**INDOOR** Buri (palm leaf spines), abaca, steel, handmade paper, Mylar

Brown

LHKI-B-0911




## FLOOR LAMP



 7.5 kg / 16.5 lbs

 12 kg / 26.5 lbs

 0.49 m<sup>3</sup>

1 x 100 watts

Portable pre-wired lamp

E26 / E27

110V 60Hz / 230V 50Hz

**INDOOR** Buri (palm leaf spines), abaca, steel, handmade paper, Mylar

Brown

LFKI-B-1672